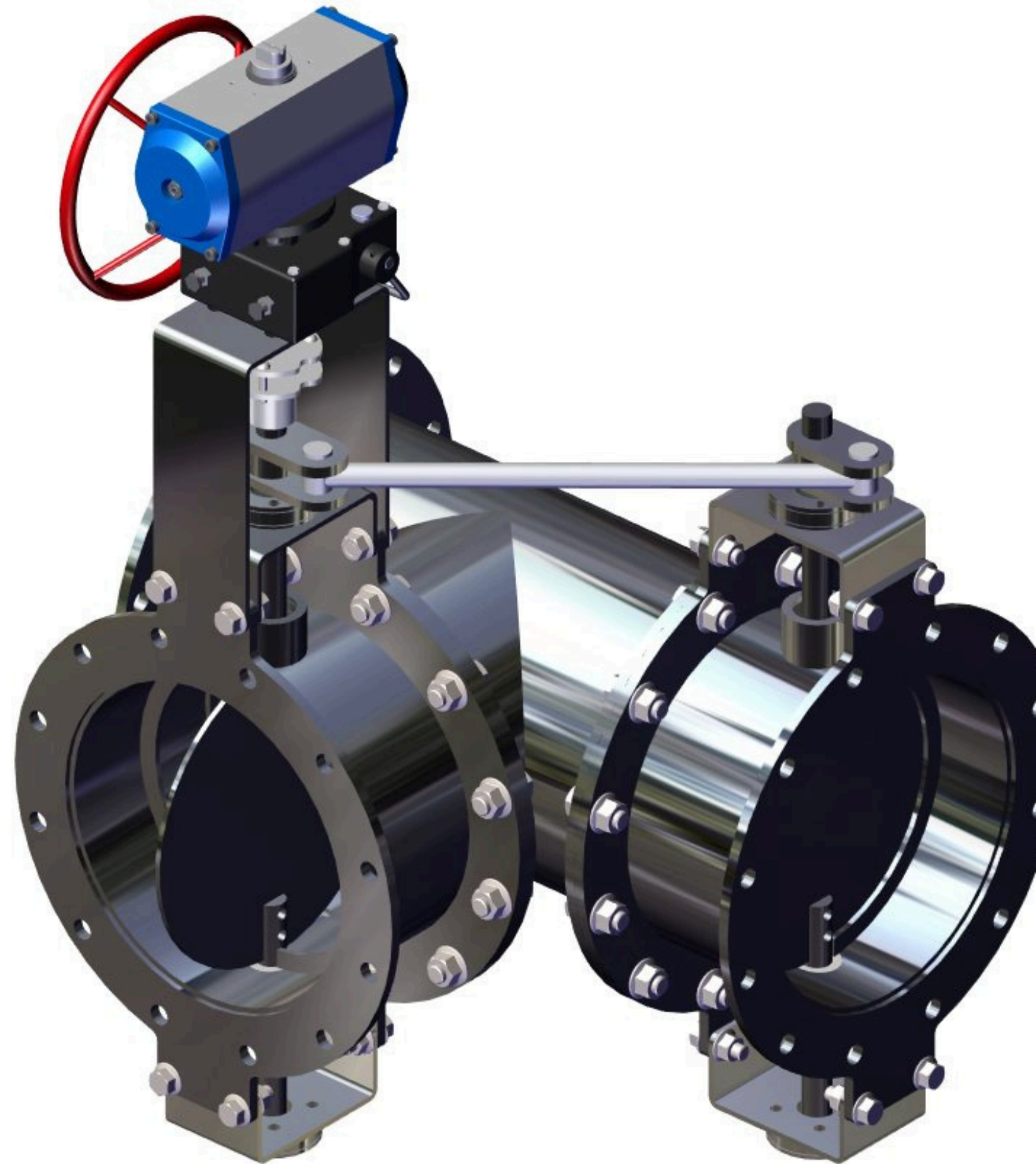




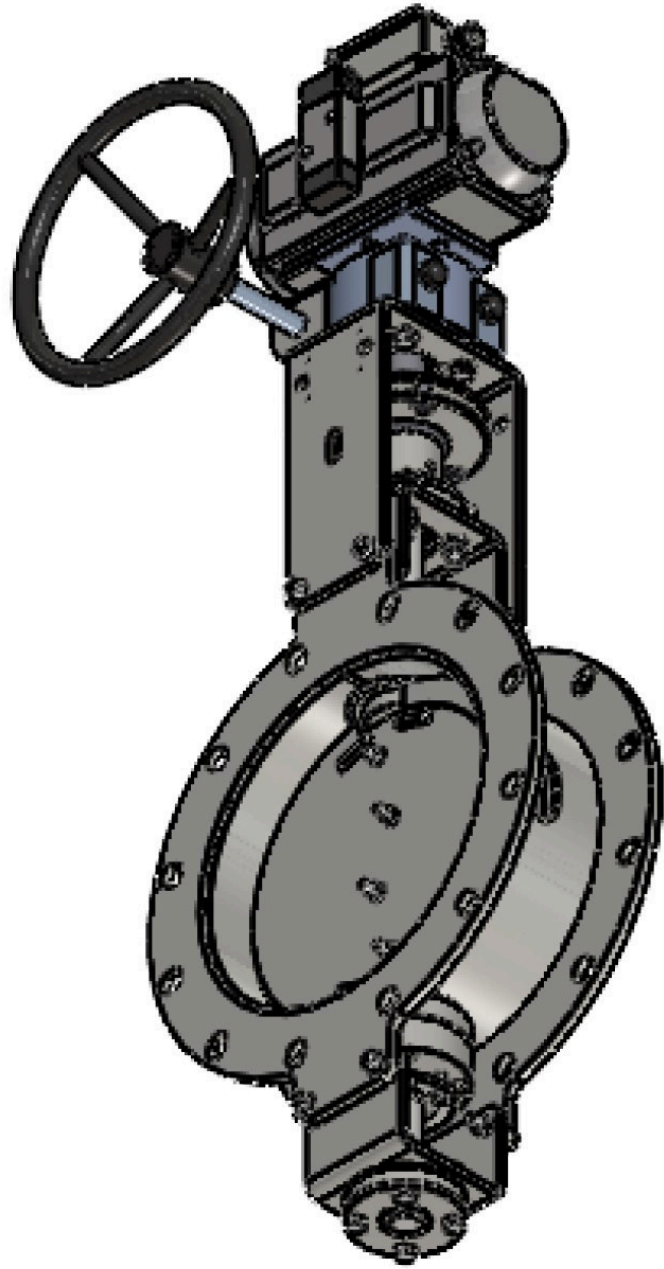
“Damper Technology”

2- Way

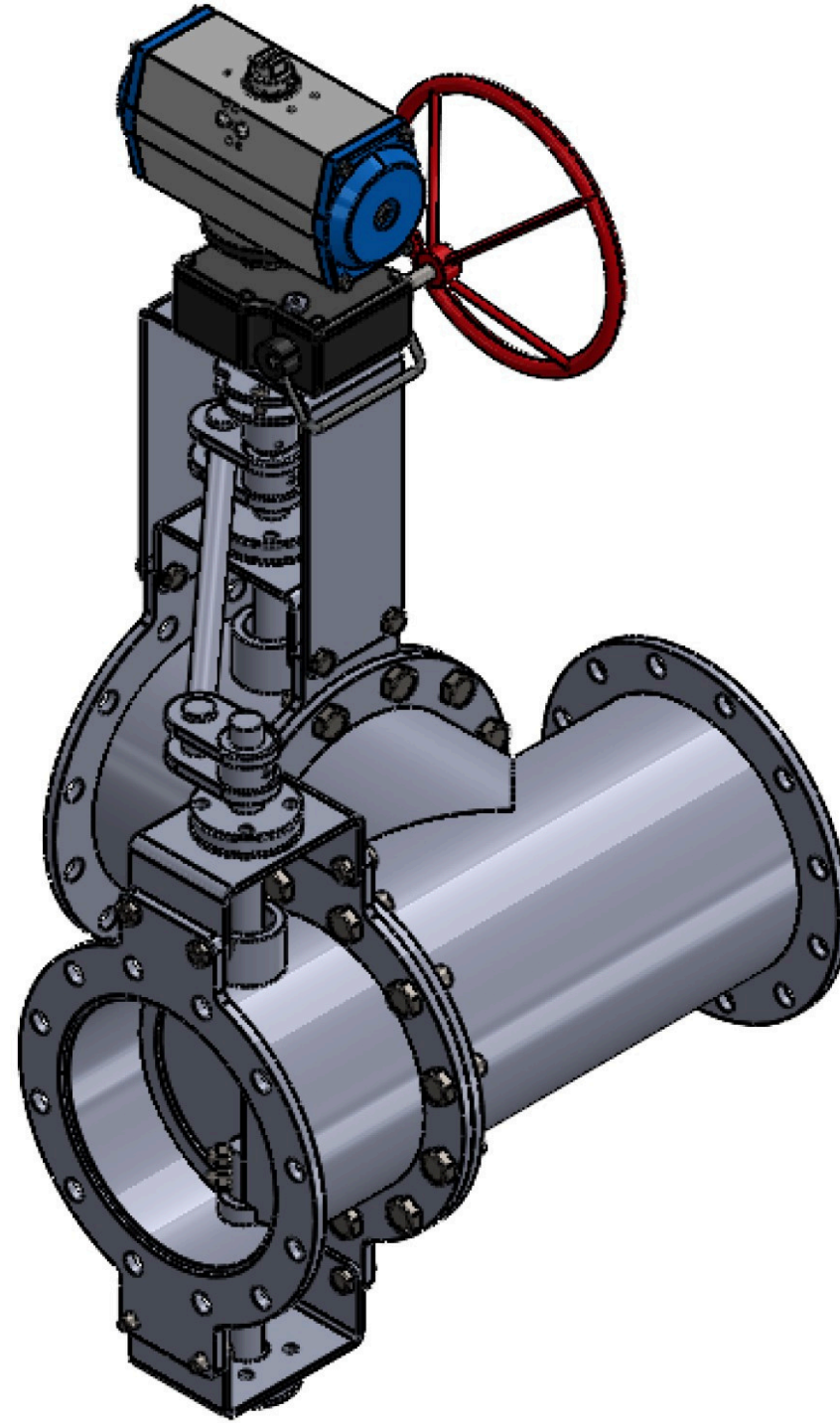
3-Way Dampers



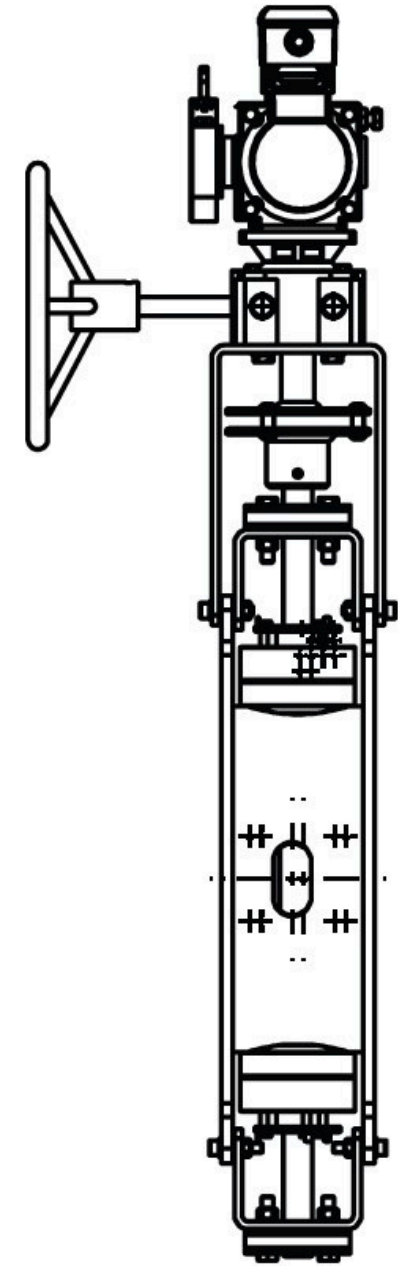
Damper Types



2 way Dampers



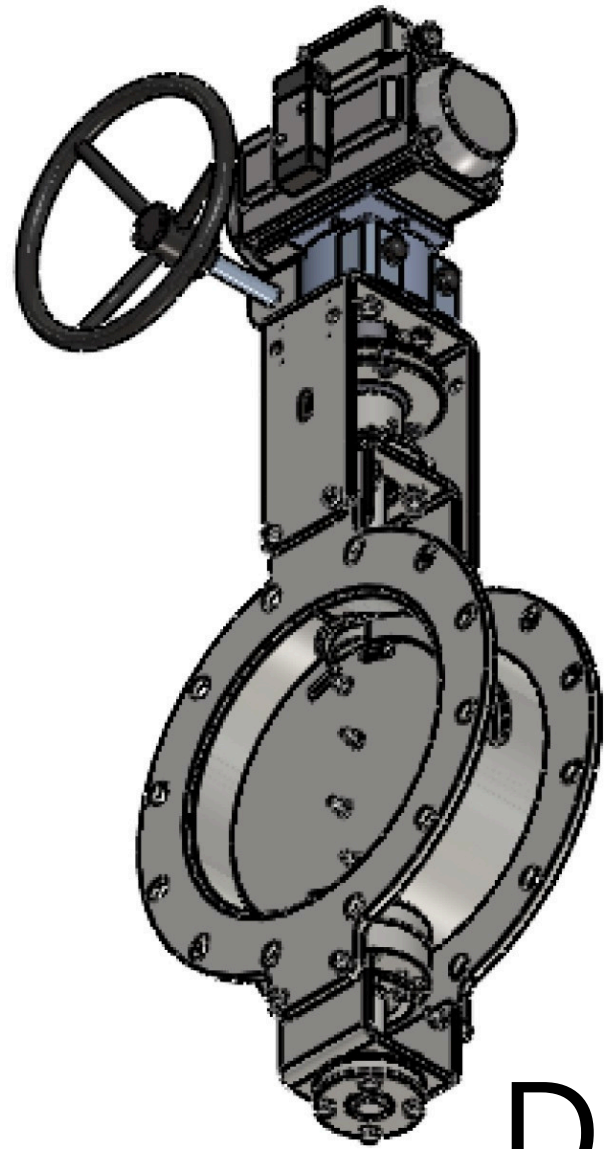
3 way Dampers



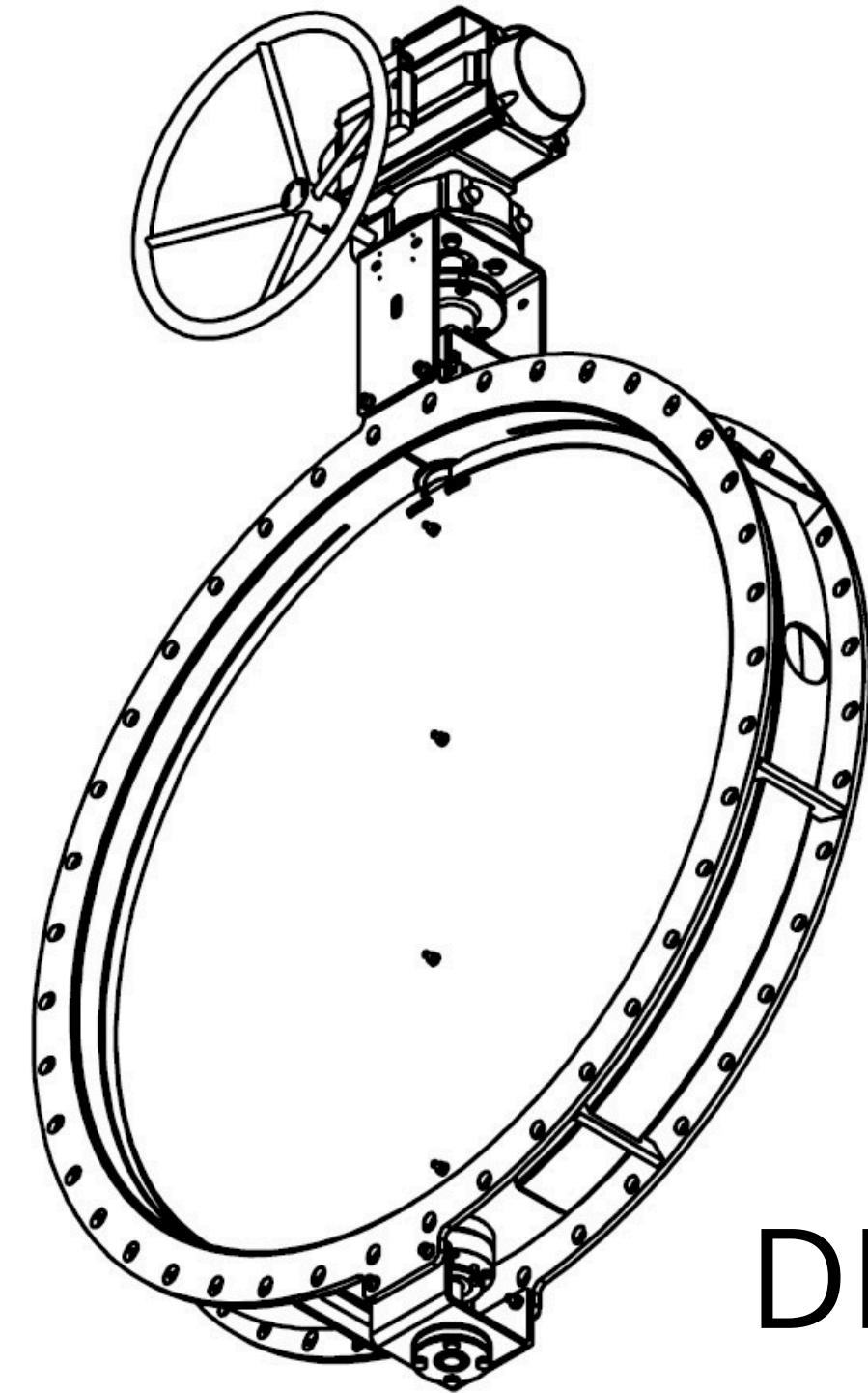
Air Sealing
Zero Leakage

Diameter Range

Rotek can produce from Diameter DN250 to DN1600 in Damper systems.



DN 250



DN1600

Application

- Fluids: Air, Gas and Fumes
- CHP and Incineration Plants
- Air Pollution and Filtration
- Power Plants
- Heat Recovery Systems
- Boilers and Burners
- Thermal Oxidizers
- Marine Scrubbers



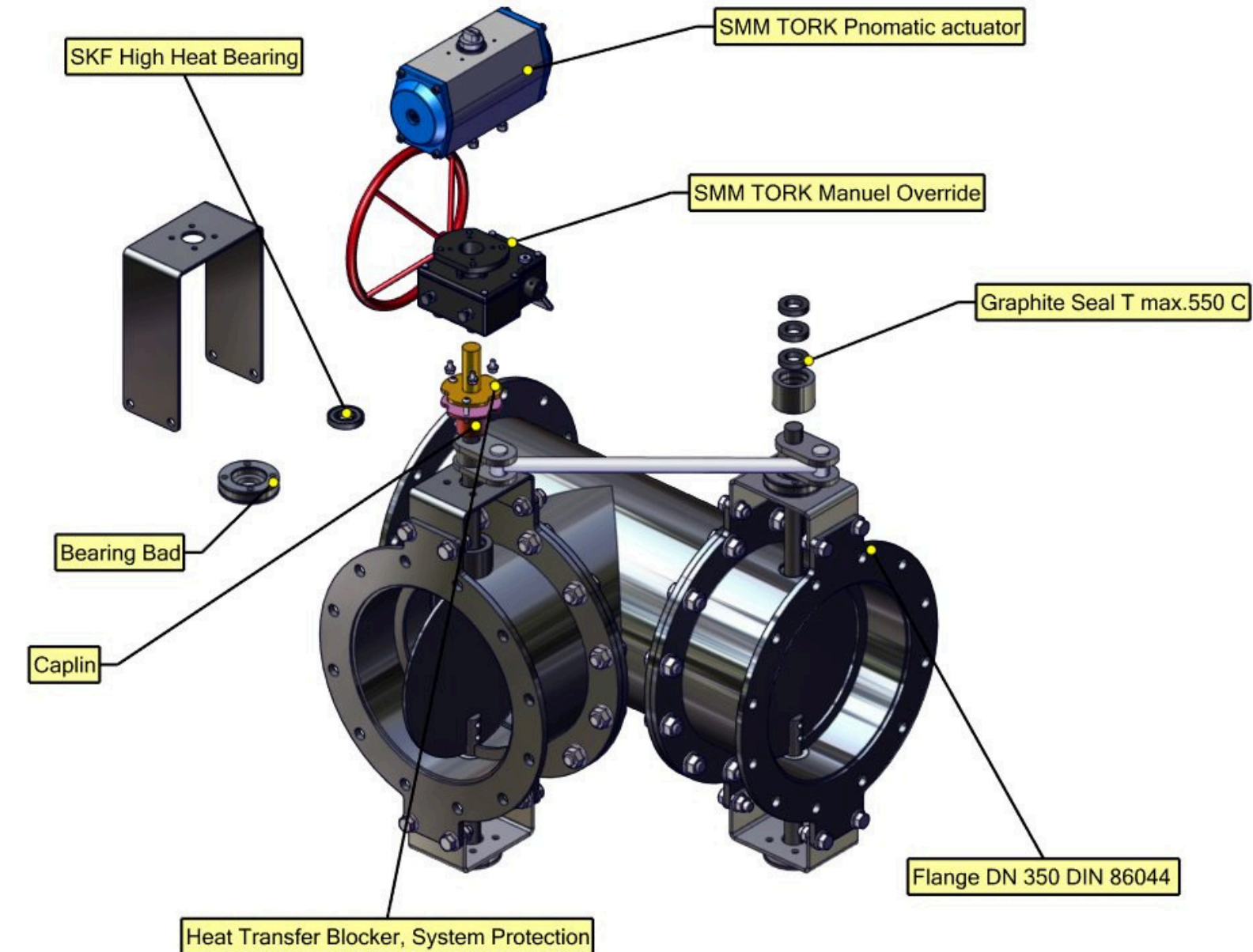
Working Conditions

- Working Temperature up to 500 °C
- Working Pressure up to 0.5 bar
- Working Pressure varies with diameter and temperature



General Characteristics

- ON/OFF or MODULATING Service
- Diameter Range of 3-way dampers from DN250 to DN1600
- End Connections: Flanged
- Separate Ball Bearing Arrangement, Easy Maintenance
- Dual-Disc Design, Zero Leakage
- Manual Override
- Designed for Insulation max 100mm

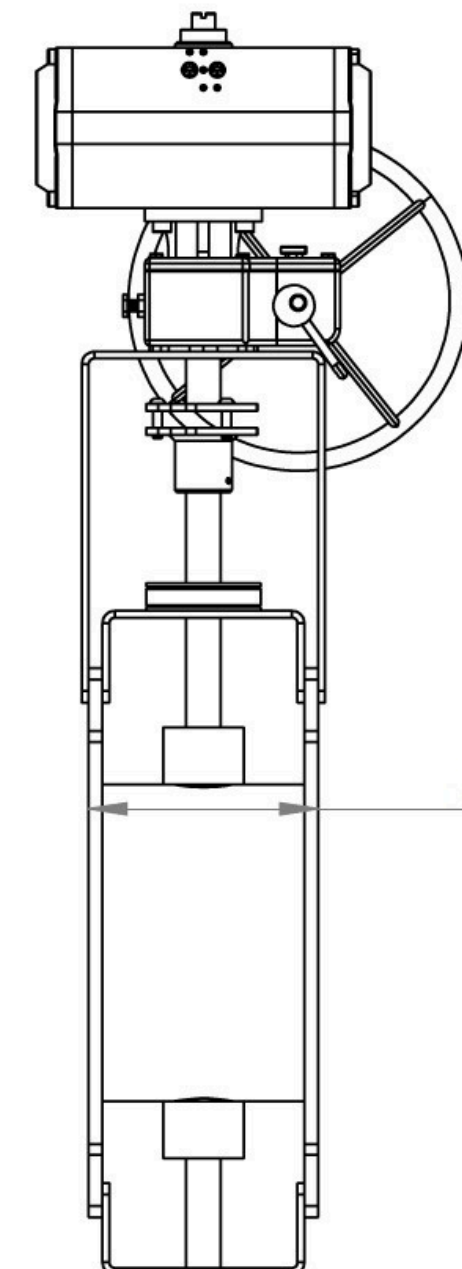


Materials

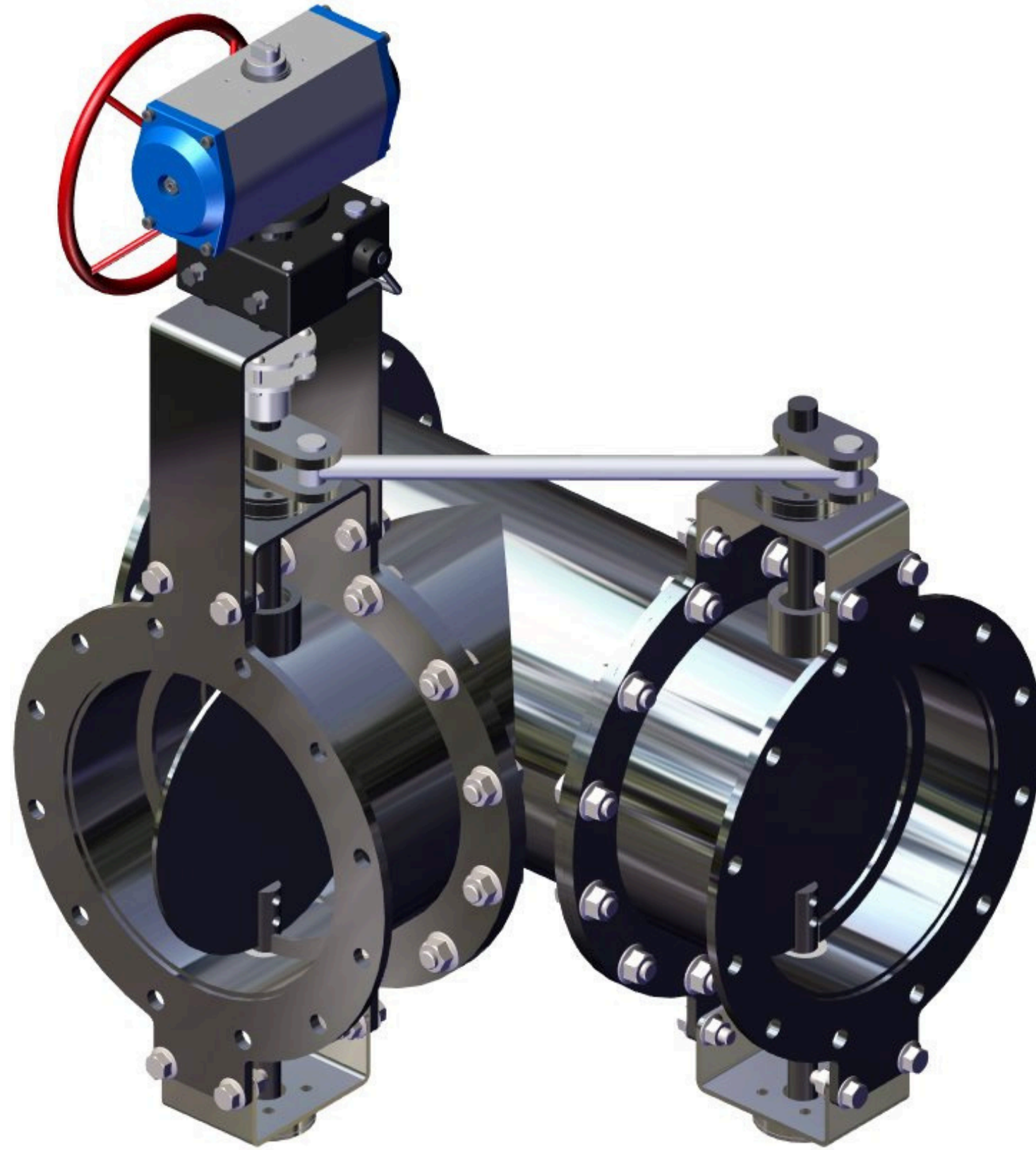
- Carbon Steel
- AISI 304
- AISI 316
- others upon request

Driving System

- Pneumatic/Electric Driven
- Actuator End Connection ISO5211



r  **rotek**



“High Quality Advanced Technology”